

127mm

San Ace B127

32mm thick



General Specifications

- Material: Frame: Plastics (Flammability: UL94V-0), Impeller: Plastics (Flammability: UL94V-1)
- Expected Life: Refer to specifications (L10:Survival rate: 90% at 60°C, rated voltage, and continuously run in a free air state)
- Lead Wire: ⊕red ⊖black or blue (Sensor) yellow
- Storage Temperature: -30°C to +70°C (Non-condensing)

127mm×32mm (Mass : 290g)

Specifications

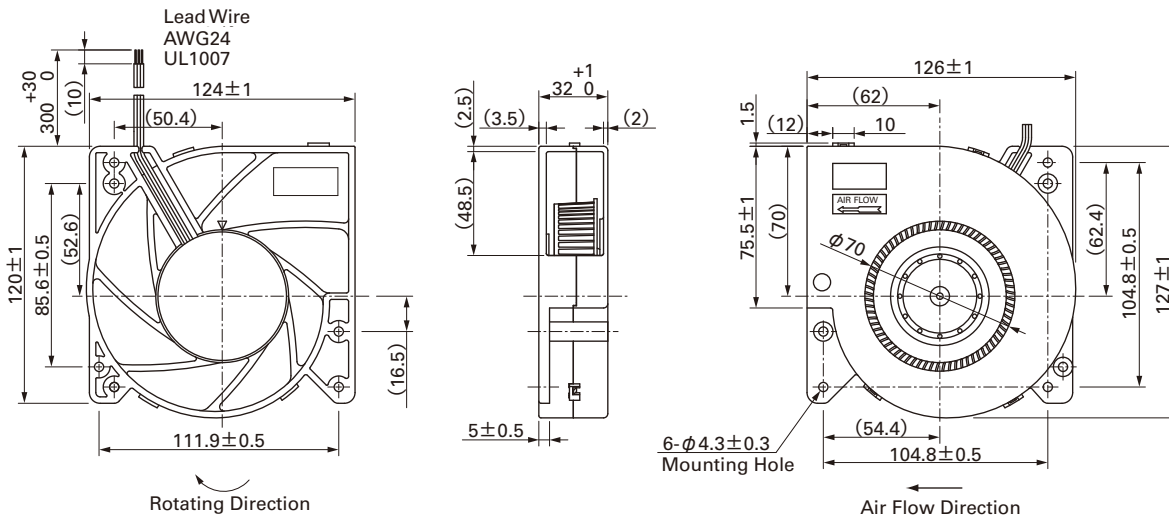
The following nos. **have pulse sensors.**

| Model No. | Rated Voltage [V] | Operating Voltage Range [V] | Rated Current [A] | Rated Input [W] | Rated Speed [min ⁻¹] | Max. Air Flow [m ³ /min] [CFM] | Max. Static Pressure [Pa] [inchH ₂ O] | SPL [dB(A)] | Operating Temperature [°C] | Expected Life [h] |
|------------|-------------------|-----------------------------|-------------------|-----------------|----------------------------------|---|--|-------------|----------------------------|-------------------|
| 109BJ12HC2 | 12 | 10.2 to 13.8 | 0.52 | 6.24 | 2,400 | 0.78 27.5 | 205.8 0.826 | 46 | - 20 to + 70 | 40,000 |
| 109BJ12MC2 | | | 0.29 | 3.48 | 1,900 | 0.61 21.5 | 109.8 0.441 | 40 | | |
| 109BJ24HC2 | 24 | 20.4 to 27.6 | 0.26 | 6.24 | 2,400 | 0.78 27.5 | 205.8 0.826 | 46 | - 20 to + 60 | |
| 109BJ24MC2 | | | 0.15 | 3.6 | 1,900 | 0.61 21.5 | 109.8 0.441 | 40 | | |

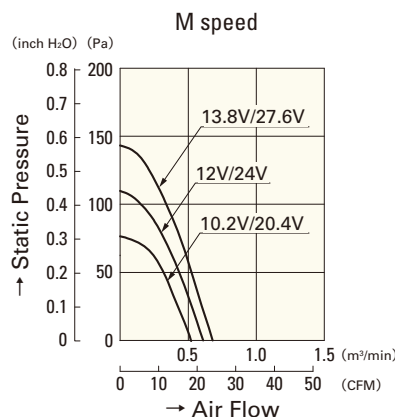
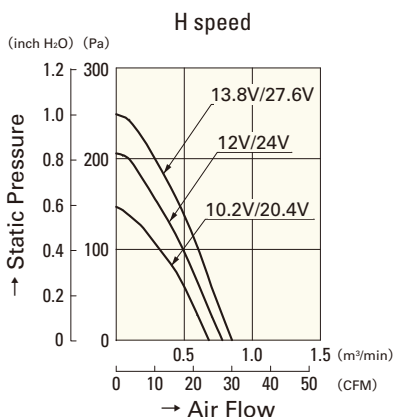
Available options: ⇒ **Without Sensor**

Please inquire as the availability of these functions depend on the model. ⇒ **Lock Sensor**

Dimensions (Unit : mm)



Air Flow - Static Pressure Characteristics



109BJ12HC2
109BJ24HC2

109BJ12MC2
109BJ24MC2